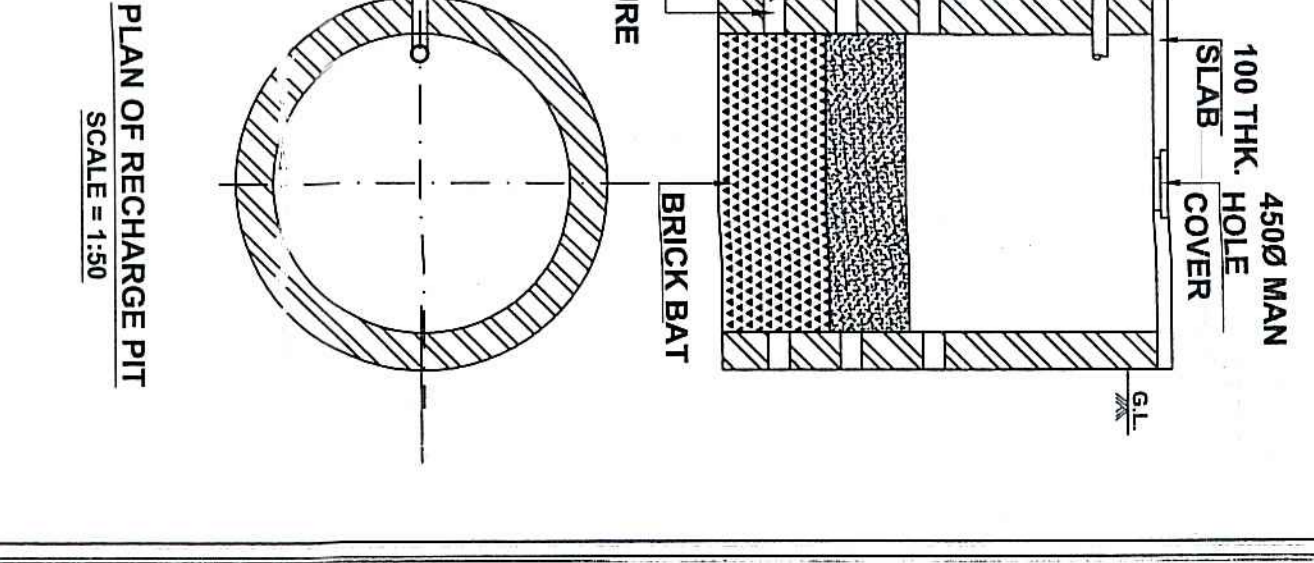
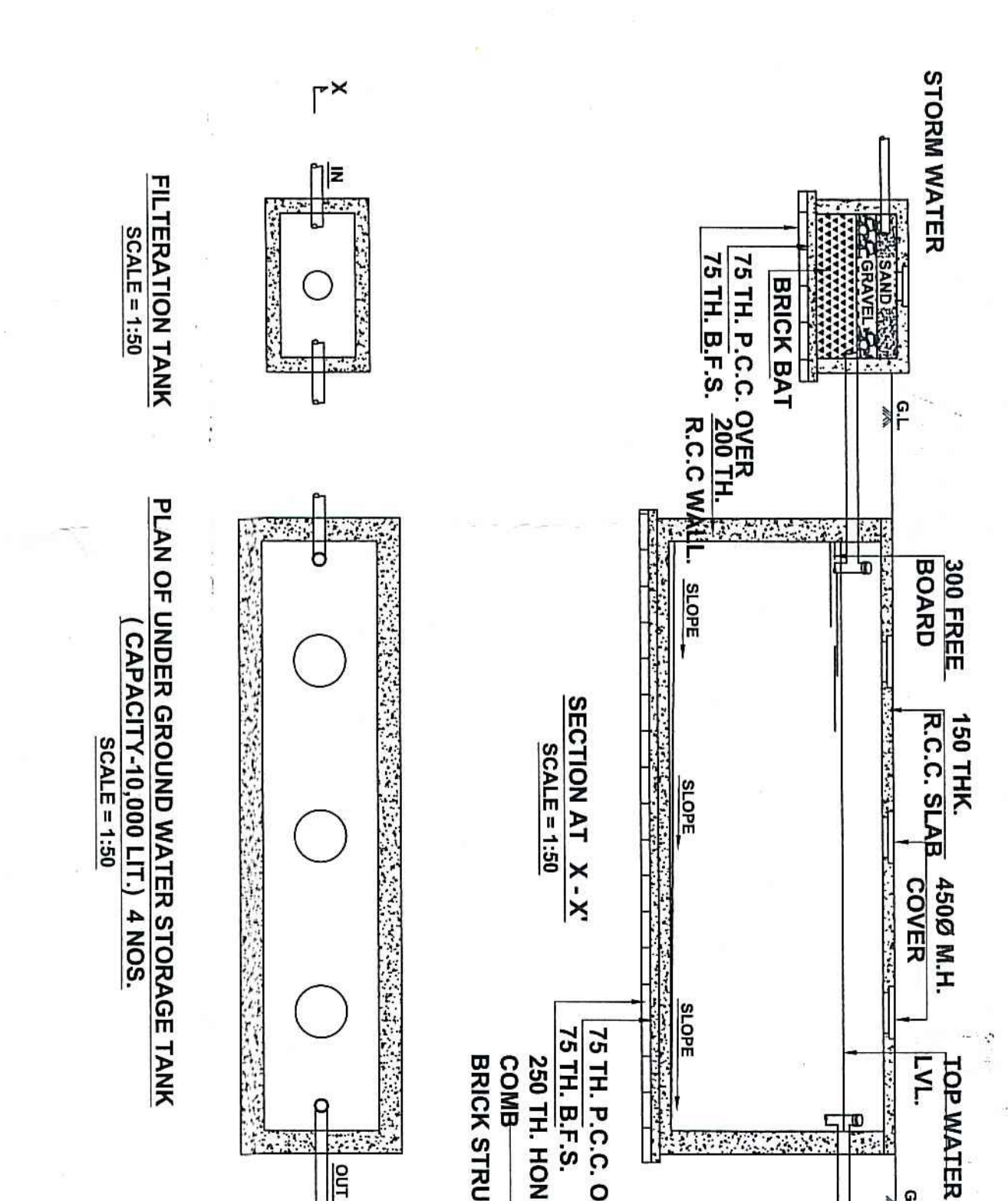
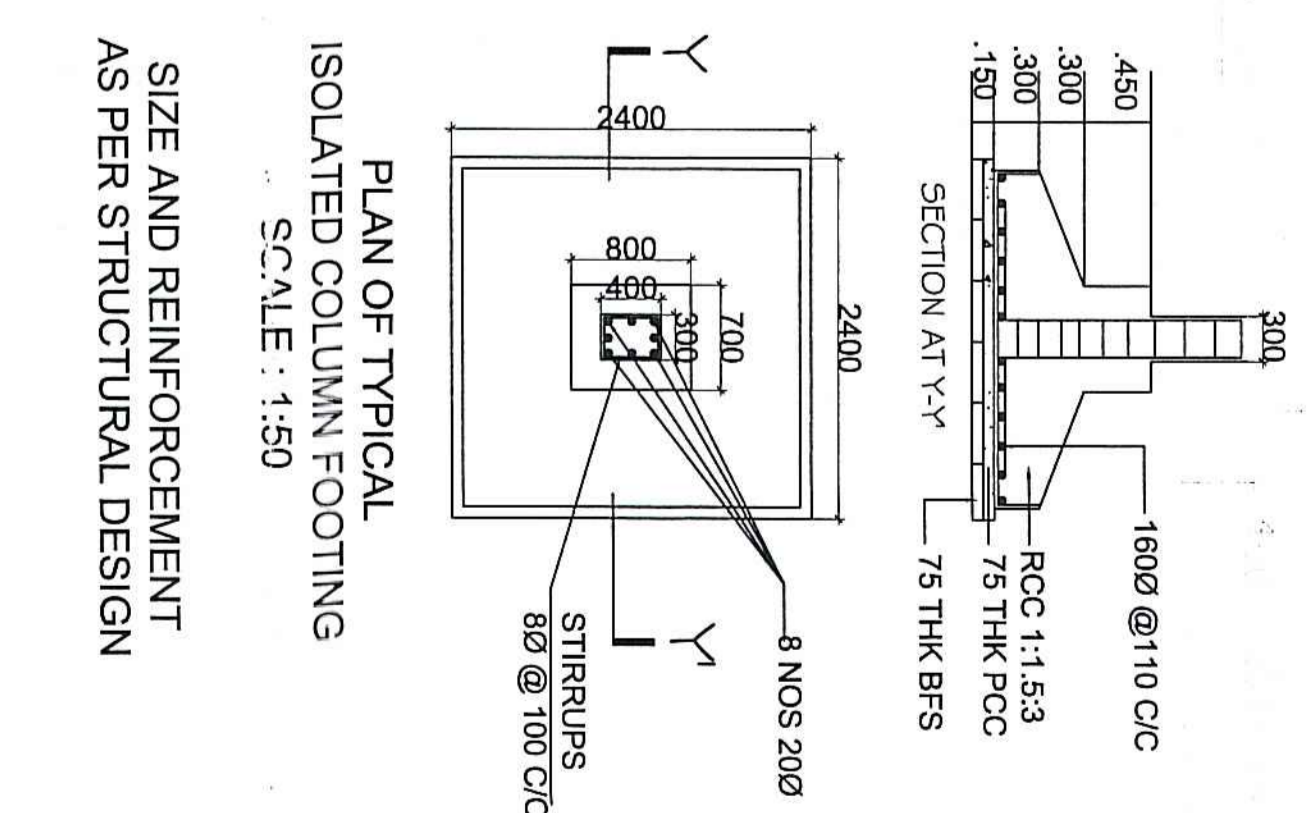
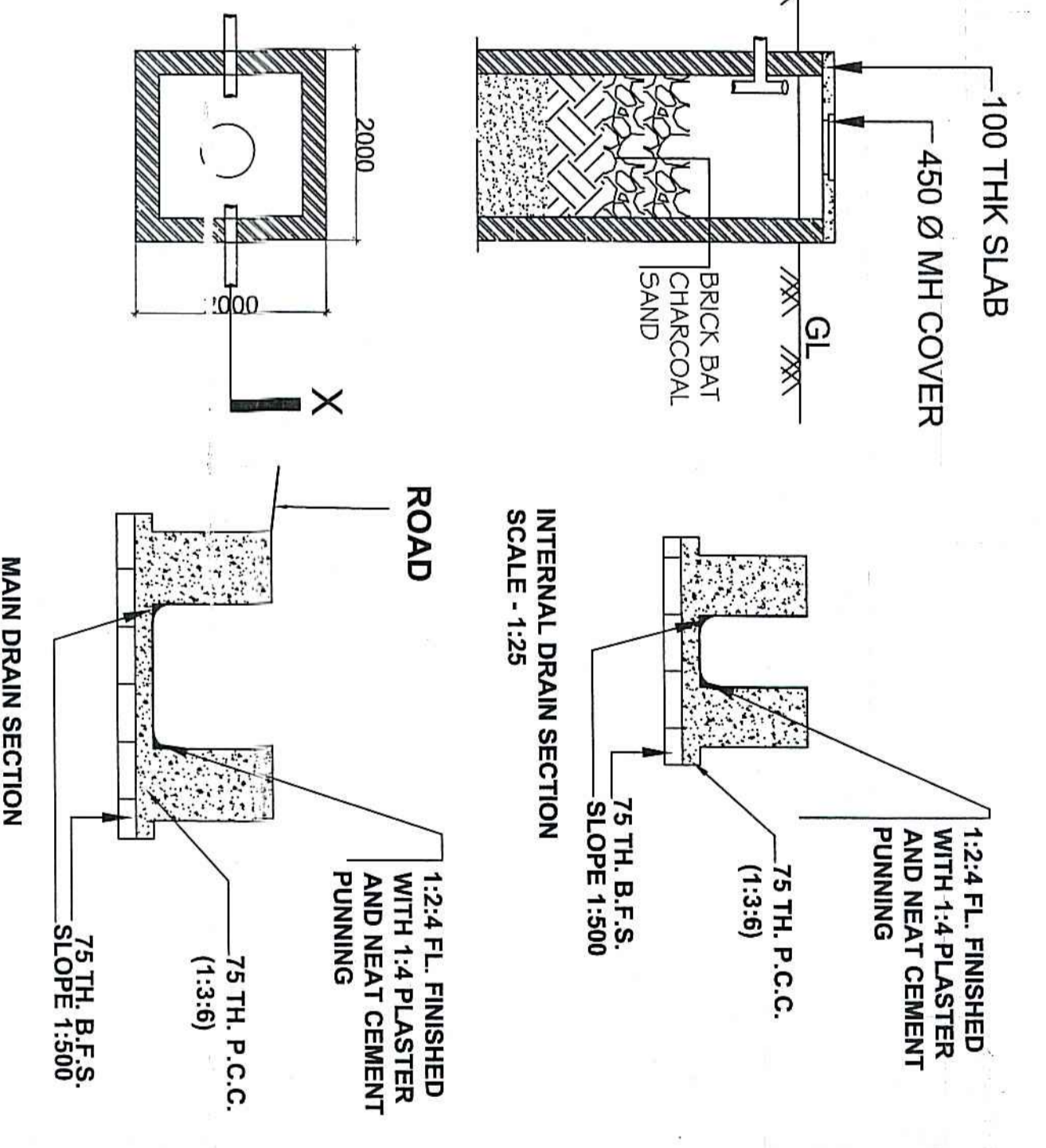
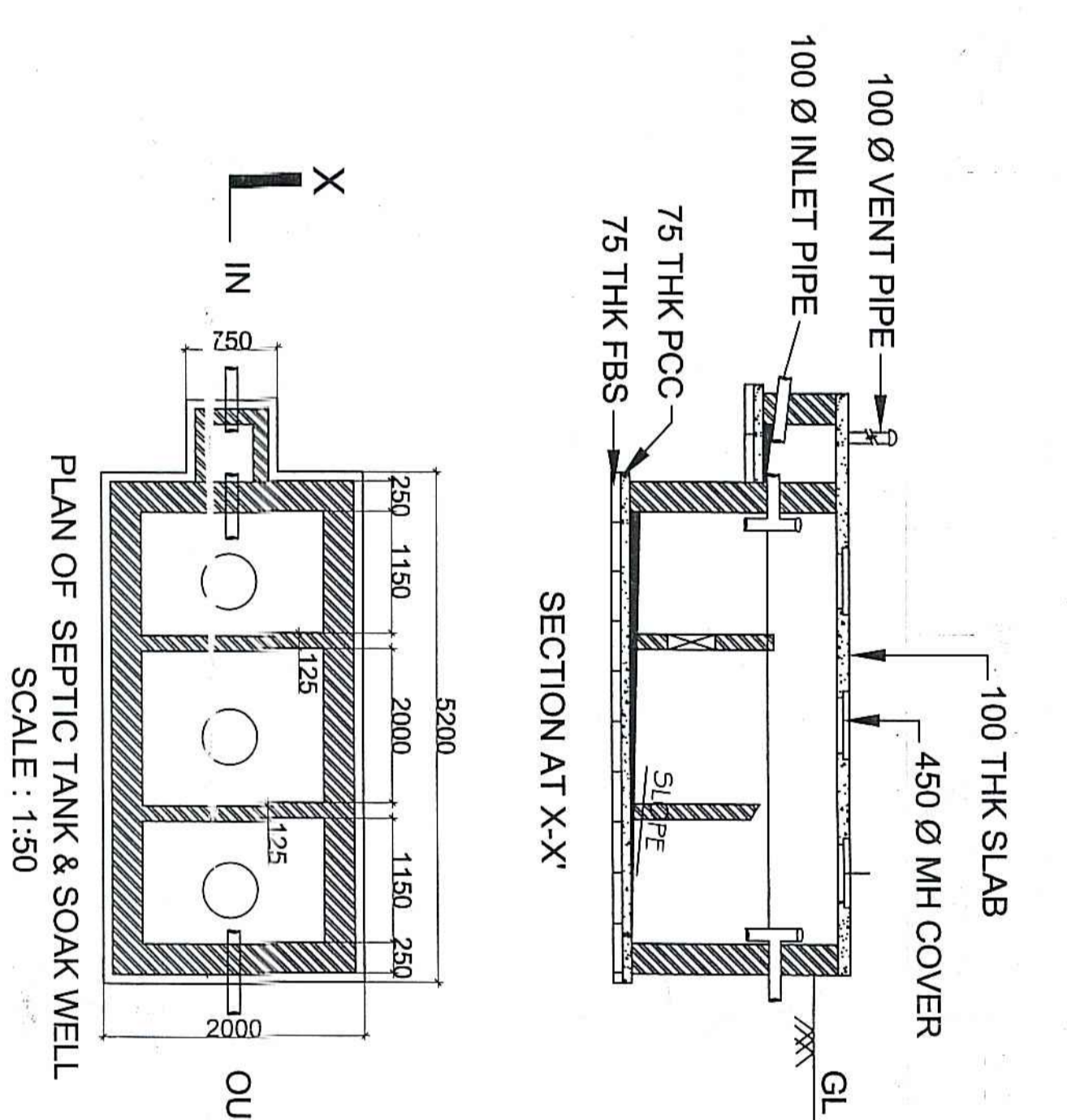
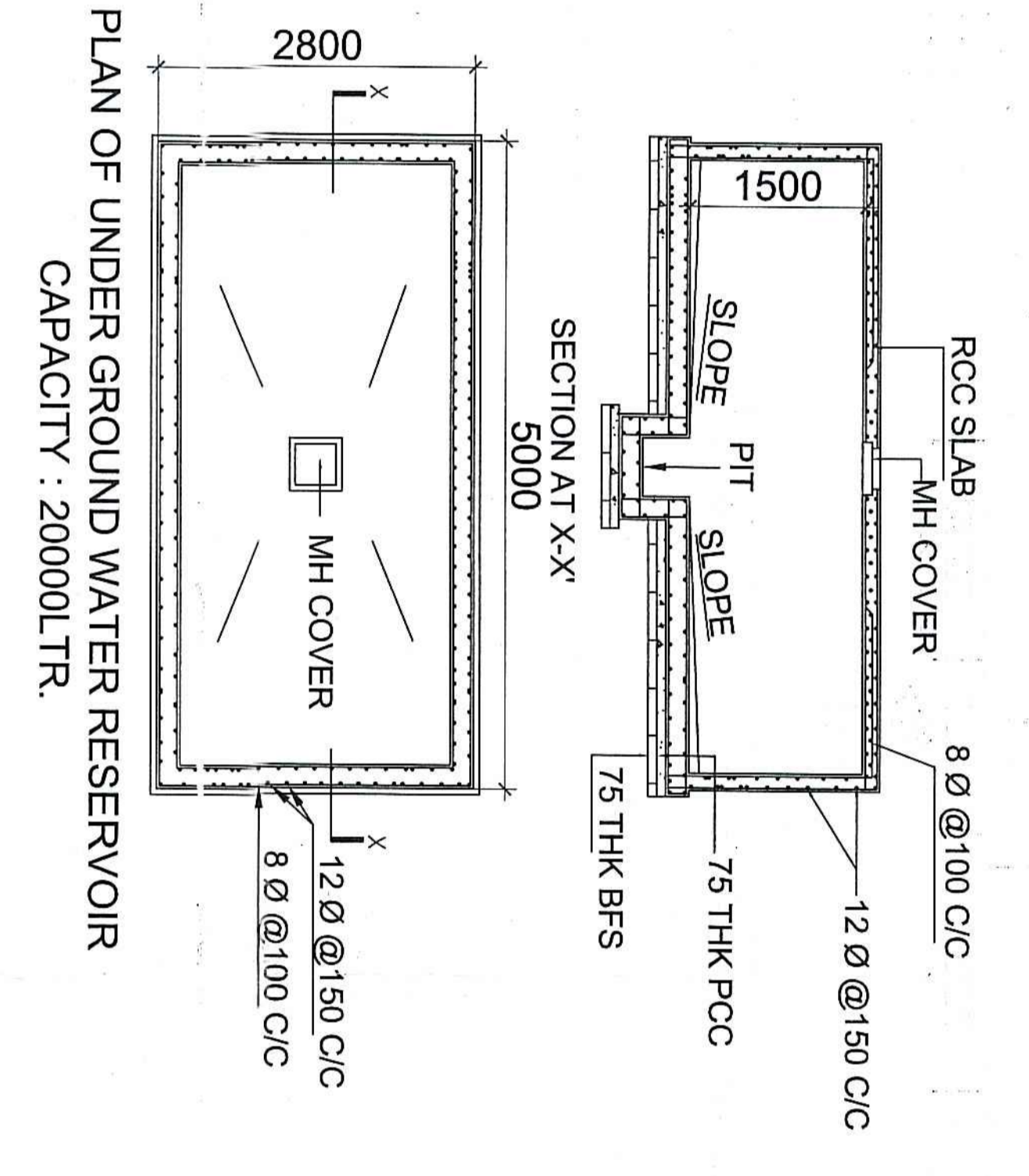
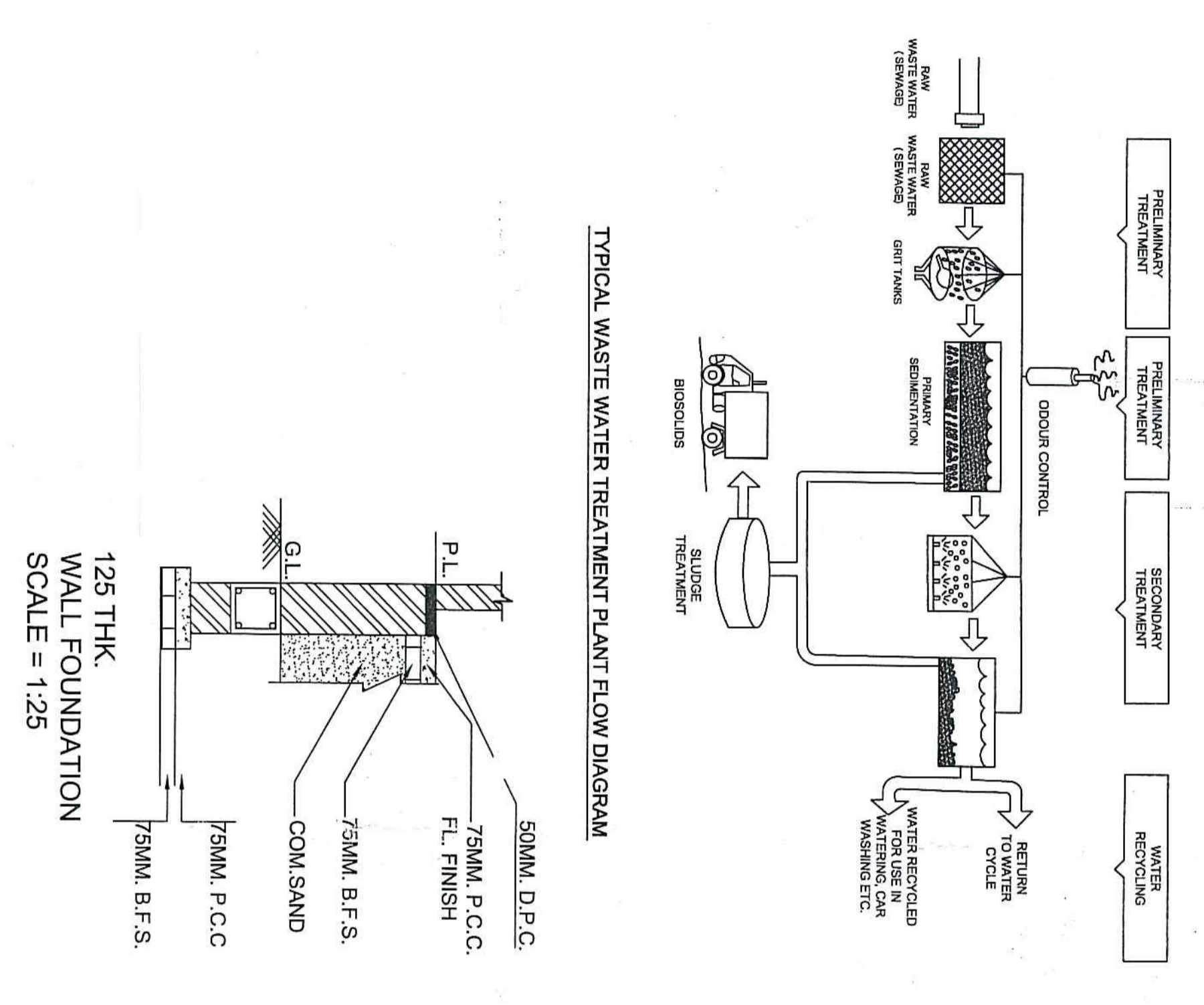




BASEMENT FLOOR PLAN SCALE 1:125



CHECKED
DATE
DESIGNED
DATE

SEPARATION OF U.S. ARCHITECT
REGISTERED ARCHITECT
NO. 123456789
STATE OF MICHIGAN

GOVERNMENT SCHEDULE:
PROJECT NO. 123456789
DATE: 12/31/2023
SCALE: 1:125

TITLE:
PROPOSED BASEMENT - GROUND & STORMWATER TREATMENT BUILDING OF SHEIKH SHIBABAYTA SARKAR, SOULT, GHANAYOTI COLLEGE, PS. MANTIGAWA, DIST. - DABHOLING

SCALE: 1:100
SHEET NO. 44
DRAWN BY: [Signature]
ARCHITECT AND ENGINEER

